

MEGA EYE BOLT

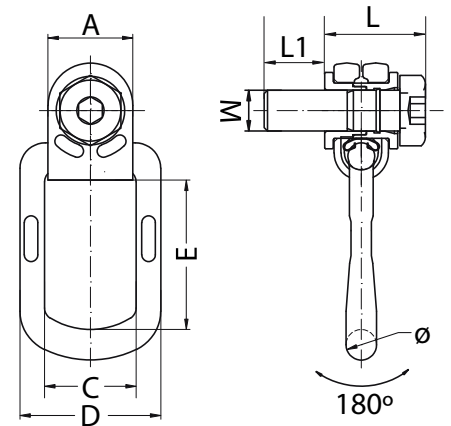
AS/NZS
2318

EN
818-4

Certified

Proof loaded
WLL
x1.25

Safety Factor
4-1



SHORT THREAD												
SIZE (mm)	CODE	WLL (T)	Wt. (kg)	BL (T)	DIMENSIONS (mm)							
					Ø	A	C	D	E	M	L1	L
M8	605208	0.3	0.36	1.2	14	30	35	55	52.5	8	10.4	35.6
M10	605210	0.63	0.38	2.52	14	30	35	55	52.5	10	16	36
M12	605212	1	0.71	4	18	36	40	68	54	12	18	44
M14	605214	1.22	0.72	4.8	18	36	40	68	54	14	21	45
M16	605216	1.5	0.74	6	18	36	40	68	54	16	24	46
M18	605218	2	1.16	8	16	50	54	83	80	18	26	57
M20	605220	2.5	1.21	10	16	50	54	83	80	20	30	58
M24	605224	4	1.37	16	18	50	54	83	94	24	35	60
M27	605227	4	4.18	16	27	68	73	119	106	27	38	82
M30	605230	5	4.40	20	27	68	73	119	106	30	48	84

LONG THREAD												
SIZE (mm)	CODE	WLL (T)	Wt. (kg)	BL (T)	DIMENSIONS (mm)							
					Ø	A	C	D	E	M	L1	L
M8	605508	0.3	0.39	1.2	14	30	35	55	52.5	8	76	35.6
M10	605510	0.63	0.43	2.52	14	30	35	55	52.5	10	96	36
M12	605512	1	0.8	4	18	36	40	68	54	12	114	44
M14	605514	1.22	0.86	4.8	18	36	40	68	54	14	140	45
M16	605516	1.5	0.92	6	18	36	40	68	54	16	194	46
M18	605518	2	1.47	8	16	50	54	83	80	18	180	57
M20	605520	2.5	1.49	10	16	50	54	83	80	20	187	58
M24	605524	4	1.89	16	18	50	54	83	94	24	222	60
M27	605527	4	5.22	16	27	68	73	119	106	27	270	82
M30	605530	5	5.35	20	27	68	73	119	106	30	279	84

NOTES:

- Long thread eye bolts can be cut to suit jobs.
- When cutting the bolts, a **cold cutting** method must be used.
- **DO NOT use Oxy-Acetylene for cutting.**
- The length after cutting must not be less than 1.5 times that of its diameter.

METRIC	WORKING LOAD LIMIT FOR MEGA EYE BOLT (T)									
	LOADING METHOD	ASYMMETRIC				SYMMETRIC				ASYMMETRIC
		1	1	2	2	0°-45°		45°-60°		
	INCLINATION	0°	90°	0°	90°	0°-45°	45°-60°	0°-45°	45°-60°	ASYMMETRIC
LOAD FACTOR	1.0	1.0	2.0	2.0	1.4	1.0	2.1	1.5	1.0	
M8	0.3	0.3	0.6	0.6	0.42	0.3	0.63	0.45	0.3	
M10	0.63	0.63	1.26	1.26	0.88	0.63	1.32	0.95	0.63	
M12	1.0	1.0	2.0	2.0	1.4	1.0	2.1	1.5	1.0	
M14	1.2	1.2	2.4	2.4	1.68	1.2	2.52	1.8	1.2	
M16	1.5	1.5	3.0	3.0	2.1	1.5	3.15	2.25	1.5	
M18	2.0	2.0	4.0	4.0	2.8	2.0	4.2	3.0	2.0	
M20	2.5	2.5	5.0	5.0	3.5	2.5	5.25	3.75	2.5	
M24	4.0	4.0	8.0	8.0	5.6	4.0	8.4	6.0	4.0	
M27	4.0	4.0	8.0	8.0	5.6	4.0	8.4	6.0	4.0	
M30	5.0	5.0	10.0	10.0	7.0	5.0	10.5	7.5	5.0	

Head Office (NSW)

43 Frank Street
Wetherill Park, NSW 2164
Ph : 02 9757 2277

VIC Office

475 Dohertys Road
Truganina, VIC 3029
Ph : 03 9314 5525

QLD Office

7 Durbell Street
Acacia Ridge, QLD 4110
Ph : 07 3272 0777

WA Office

42 Mulgul Road
Malaga, WA 6090
Ph : 08 9248 6674